

INNOVATION MADE IN GERMANY



PRIMEcut + SMARTcut



CUTTING

BENDING

FORMING

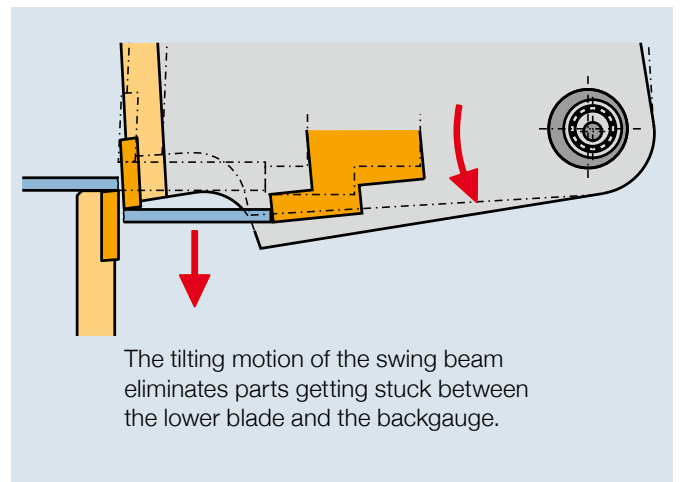
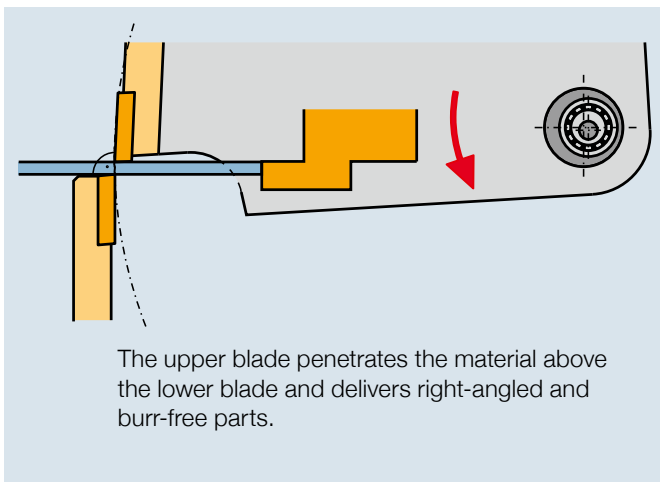
PRIMEcut + SMARTcut

The Perfect Cut

The **RAS PRIMEcut** and **RAS SMARTcut** swing beam shears combine all the features and benefits that are expected from the latest shearing technology. The innovative RAS swing beam technology guarantees clean burr free and accurate cuts.

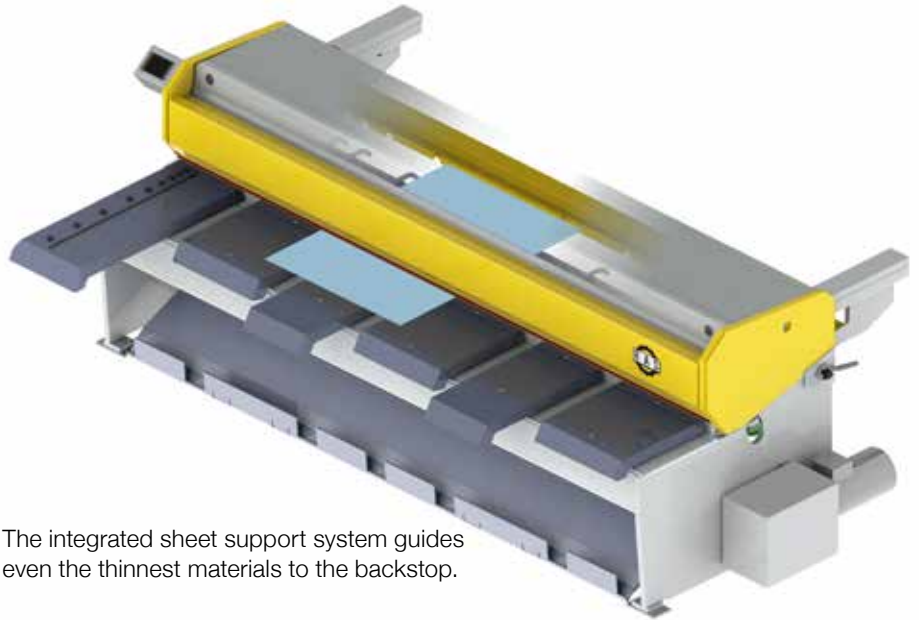


The extremely low rake angle assures twist free cuts even at about 15 x material thickness!





Blade clearance adjustment on RAS PRIMEcut.



The integrated sheet support system guides even the thinnest materials to the backstop.



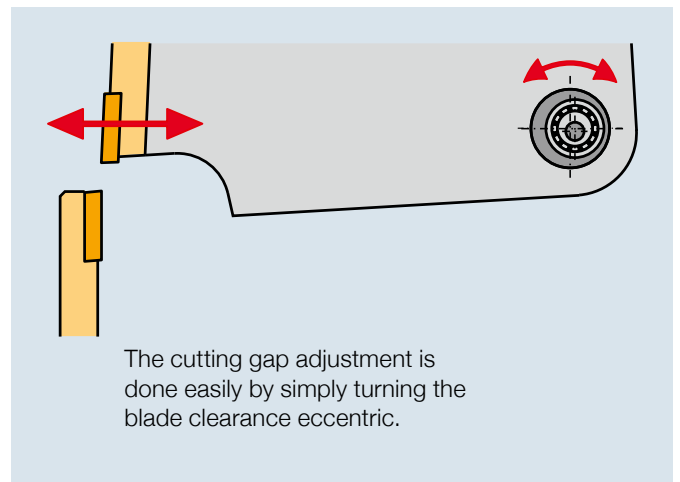
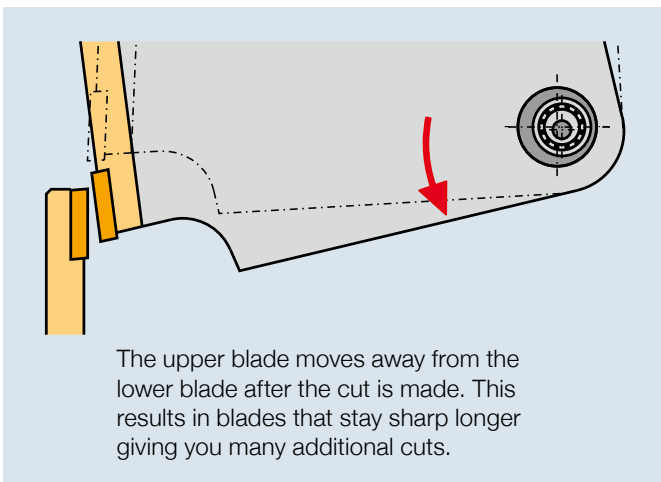
Convenient blank alignment to marks with the LED cutting line illumination.



Beveled table panels, a hardened squaring arm and large grip space for simple and easy material handling.



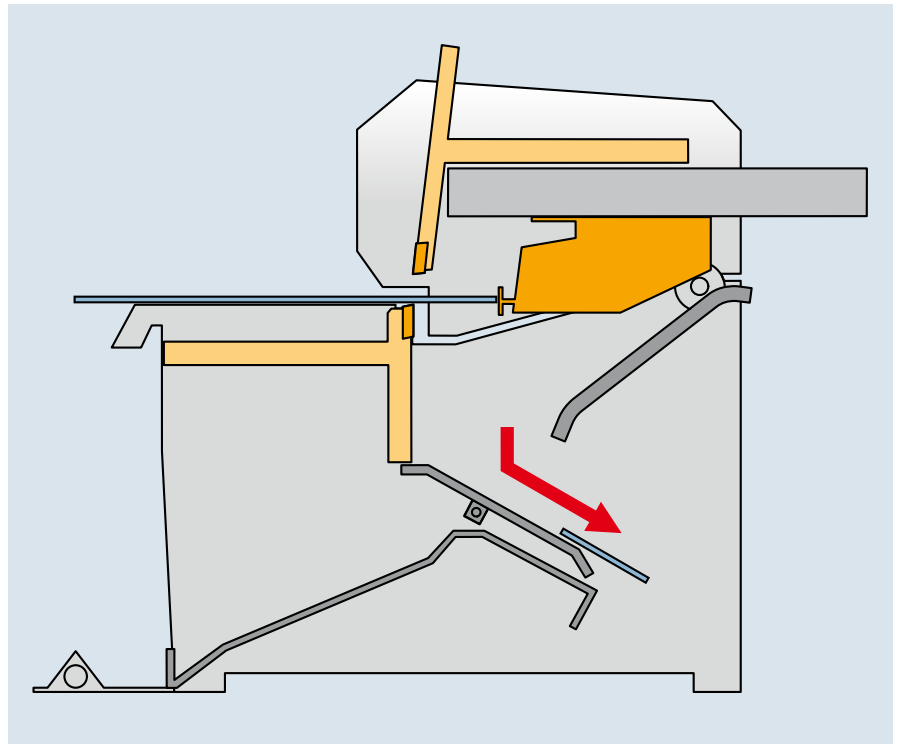
The manual backgauge (available on the SMARTcut) can be positioned from the front in seconds.



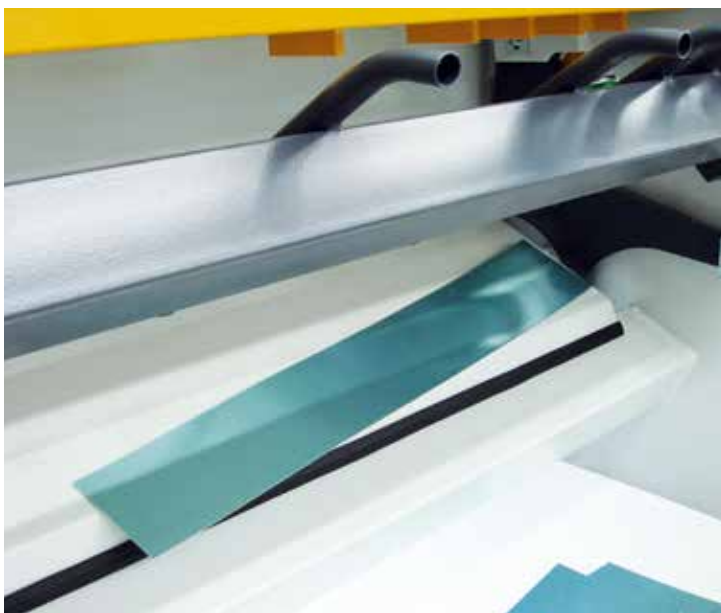
PRIMEcut + SMARTcut

Intelligent Sorting

A foot lever position determines whether the **parts chute** delivers cut pieces to the front or the rear. This allows separation of good parts and scrap without additional sorting!



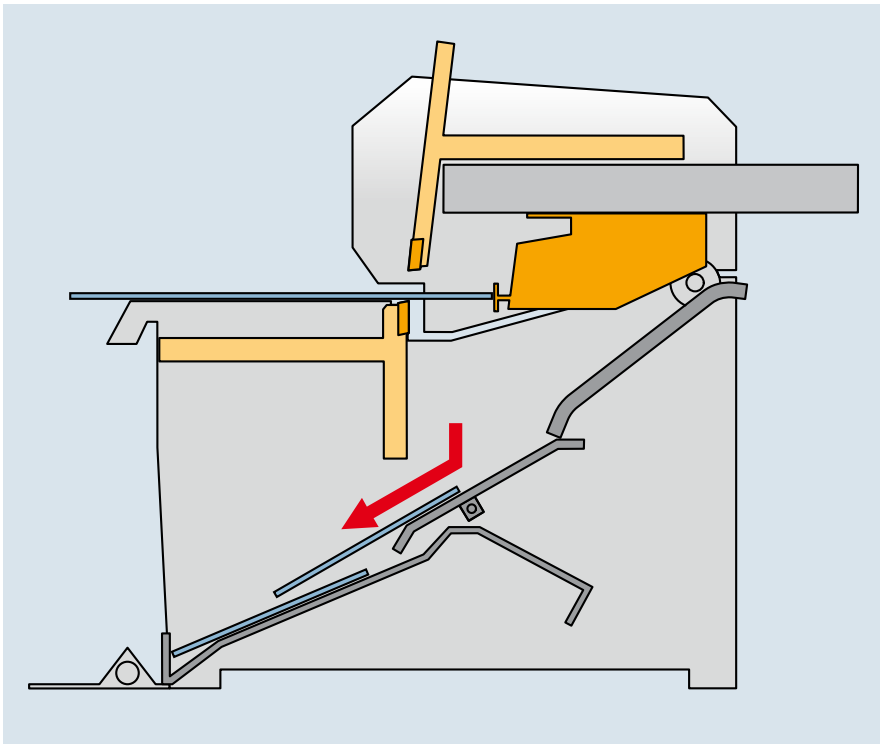
Sorting of cut pieces to the rear...



Parts chute for cut piece delivery to the rear.



The foot lever activates the parts chute.



...or the front



Parts chute for cut piece delivery to the front.



Stacking carriage for cut pieces.

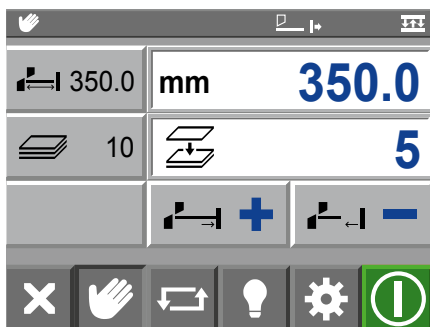
PRIMEcut + SMARTcut

Touch & Cut

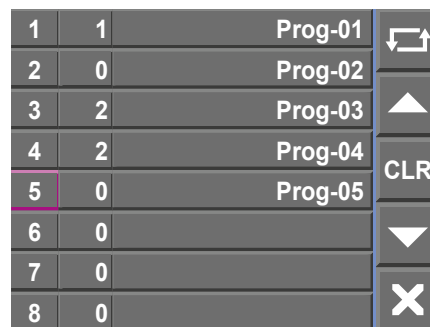
The **Touch & Cut** control positions the backgauge to the programmed dimension and cuts the selected number of parts. The operator can create single lines or complete cutting programs. The machine can either be operated in a single or continuous stroke mode.



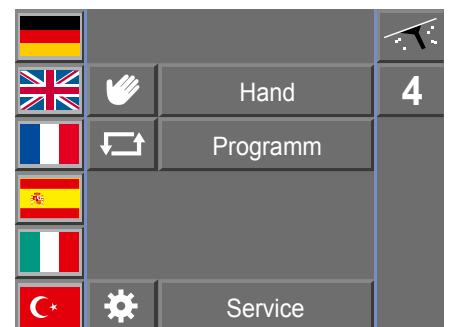
Control with touch screen monitor.



Single program line with dimension, quantity and step operation.



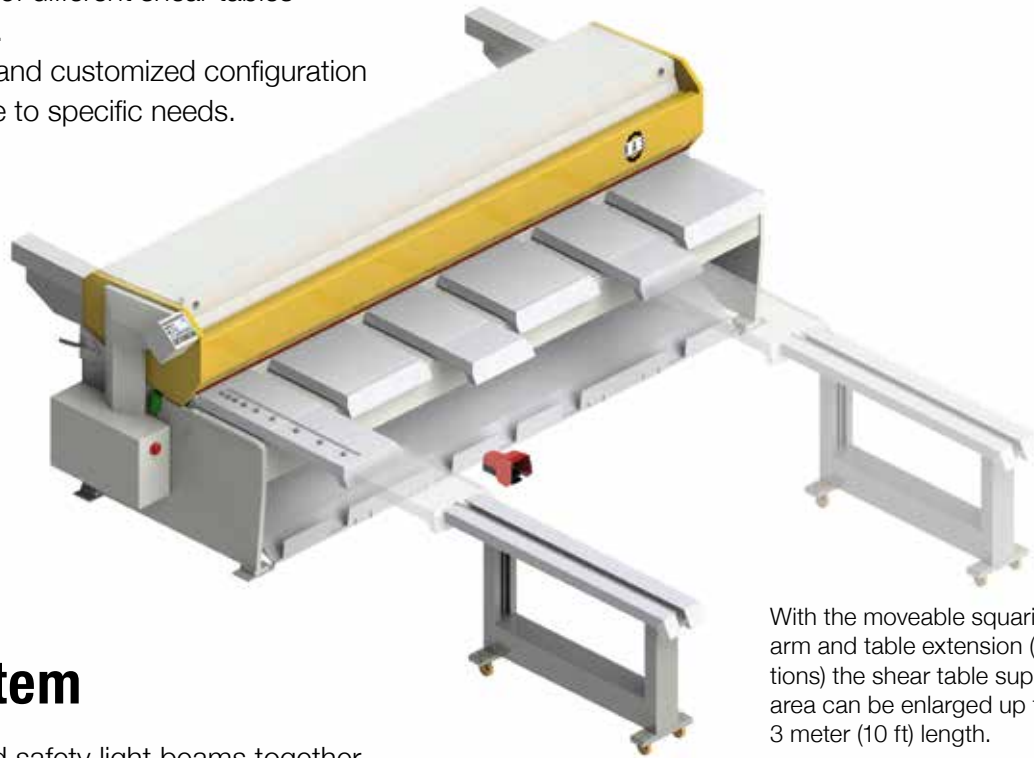
The Touch & Cut control can store up to 50 programs with 20 lines each.



The setup menu guides you to the languages, mm/inch selection and to a screen cleaning mode.

System Extensions

The **RAS PRIMEcut** and **RAS SMARTcut** cut shears offer a variety of different shear tables for extra large blanks. This allows a flexible and customized configuration of the shear table due to specific needs.



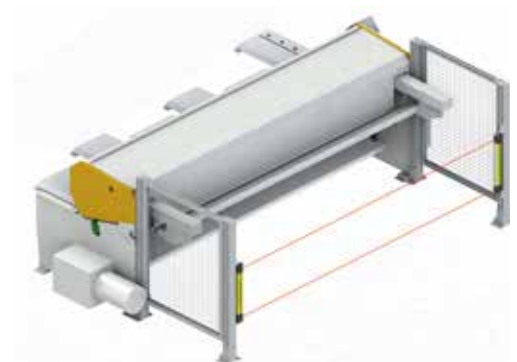
With the moveable squaring arm and table extension (options) the shear table support area can be enlarged up to 3 meter (10 ft) length.

Safety System

Protective fences and safety light beams together with the attractive machine design complete the **RAS PRIMEcut** and **RAS SMARTcut** safety concept. They prevent access to the rear of the machine during the work process.



Protection with fences for safe-guarded access (door) from the right or left side.



Rear protection with fences and safety light beams.



PRIMEcut + SMARTcut

Technical Data	PRIMEcut	SMARTcut
Material thickness max. (mild steel)	3.0 mm / 11 Ga	2.0 mm / 14 Ga
Cutting length	3100 mm / 122"	3100 mm / 122"
Backstop dimension	5 - 750 mm / 0.2"-29.5"	5 - 750 mm / 0.2"- 29.5"
Rake angle	1.1 Grad / 1.1 deg	0.9 Grad / 0.9 deg
Strokes per minute	28 / 28	36 / 36
Working height	800 mm / 31.5"	800 mm / 31.5"
Part width for front delivery max.	750 mm / 29.5"	750 mm / 29.5"
Part width for rear delivery max.	250 mm / 10"	250 mm / 10"
Machine length	3920 mm / 155"	3750 mm / 148"
Machine depth without table panels	1800 mm / 71"	1650 mm / 65"
Drive power	4.0 kW / 5.5 hp	3.0 kW / 4.1 hp
Weight net approx.	3300 kg / 7280 lbs	1950 kg / 4300 lbs